



## FLOOR DIFFUSERS PERFORATED, ROUND, HIGH-INDUCTION

VPV TYPE



# Floor diffusers

## Perforated, round, high-induction

✓ Supply



### Application

- The round, perforated floor diffuser type VPV is a high-induction diffuser with a horizontal air supply pattern, especially well suited for the supply of cooled or heated air with a large temperature difference relative to the average temperature of the room. The floor diffuser is equipped with a flush-mounting ring with a mounting clamp, a dust collection basket and, if required, can be supplied with a(n) (insulated) connection plenum. The situations in which this floor diffuser can be utilised include computer rooms, offices, theatres, auditoriums, concert halls, council chambers etc.

### Technical information

#### Properties:

- Flat, radial air expulsion pattern.
- High-induction.
- Suitable for installation in a structural recess with a diameter of  $\text{Ø}235$  mm.

#### Model:

- The diffuser is made of 304 grade stainless steel with a black dust collection basket made of galvanised steel.
- If required, a plenum box with a round connector ( $\text{Ø}98$  mm) is supplied for the connection of an air channel/flexible tubing. This plenum box is also available in an insulated model.
- Other models upon request.

#### Installation:

- The diffuser can be installed quickly and easily by means of a stainless steel flush-mounting ring that is clamped to the floor with the help of the clamping ring provided; the diffuser is then positioned in this ring. For applications with floor coverings, the same flush-mounting ring is used to secure the edges of the floor covering, resulting in a cleanly finished connection.
- Also available with an insulated or uninsulated plenum box.

### Standard types

- VPV0009 : Floor diffuser equipped with flush-mounting ring and dust collection basket.
- VPV0109 : Floor diffuser equipped with flush-mounting ring with clamp construction, dust collection basket and uninsulated plenum box.
- VPV0309 : Floor diffuser equipped with flush-mounting ring with clamp construction, dust collection basket and insulated plenum box.

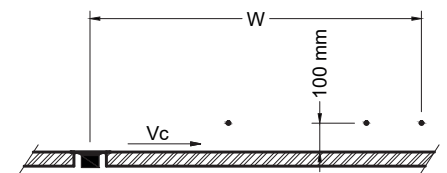
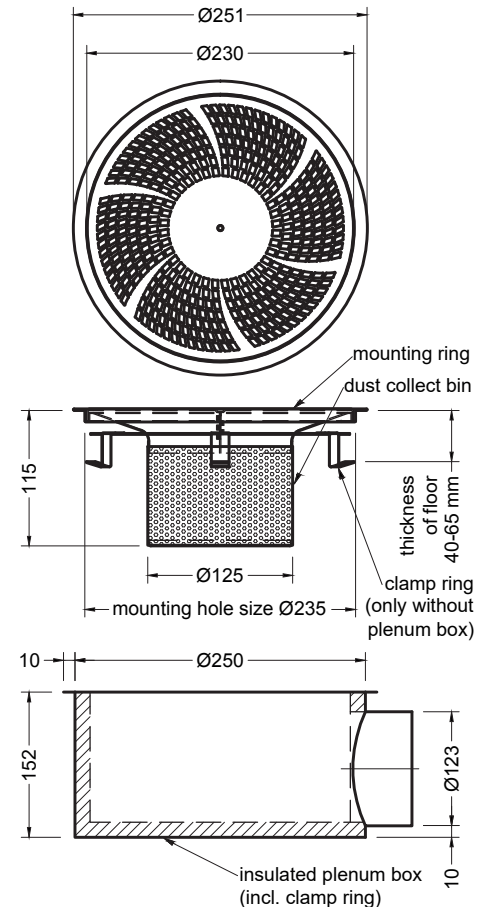
### Specifications

#### Example:

High-induction, perforated, round diffusers, model 125, for air supply from a (raised) floor. Includes dust collection basket.

Finish: natural stainless steel.

Barcol-Air type: VPV0009-125.



Type VPV0309, model 0125

#### Note on dimensions:

1. Dimensions in millimeters

Selection table (diffuser excluding plenum box)

54 - 180 m<sup>3</sup>/h

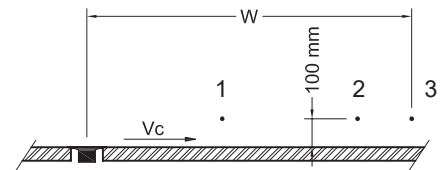
Air Volume m <sup>3</sup> /h	$\Delta p_s$ Pa	Sound L <sub>pA</sub>	Throw (m)		
			$v_c 1 = 0,25$ m/s	$v_c 2 = 0,20$ m/s	$v_c 3 = 0,15$ m/s
54	3	--	0,5	0,6	0,8
72	10	--	0,7	0,8	1,1
90	13	14	0,8	1,0	1,2
108	18	19	1,0	1,2	1,4
126	24	23	1,1	1,3	1,4
144	30	28	1,3	1,5	1,6
162	38	31	1,5	1,7	1,7
180	44	35	1,7	1,8	1,9

1. L<sub>pA</sub> values reported with a room attenuation of 10 dB.

2. Sound pressure level lower than 12 dB(A) is stated as --.

3. Throw data are based on the supply of cooled air with a  $\Delta T$  of -11K relative to the temperature of the room.

4. For the selection of diffusers with specifications other than those listed here, we ask that you contact our technicians.



Air speed measuring points



## OUR TECHNOLOGY | YOUR WELLBEING

**BARCOL-AIR** | AIR DISTRIBUTION

Cantekoogweg 10-12 - 1442 LG Purmerend, The Netherlands

**T** +31 (0)299 689 300 | **E** [export@barcol-air.nl](mailto:export@barcol-air.nl)

[WWW.BARCOL-AIR.NL](http://WWW.BARCOL-AIR.NL)