

✓ Supply

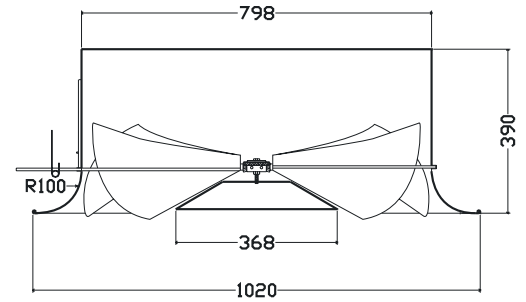
Features:

Variable geometry diffuser with manually and simultaneously movable blades (by aluminium conical gear) from 0° (completely open) to 90° (completely closed) and equalizing grid. Electric servo-control by request.

Material: aluminium diffuser with steel blades

Finishing: white epoxy powder paint RAL 9010

Installation: fixing is ensured with screws located on the diffuser's neck



Notes:

1. All dimensions are in millimetres.
2. Plenum box is supplied with mounting brackets.

Selection table:

Terminal speed $V_t=0,37$ m/s, isotherm air, 0° blade. L vert.=L vert. max x 0,25 with $Dt +10^\circ$ (heating)-noise level expressed as L_w 1m away from diffuser without acoustic attenuation of the room equal to 6-8 dB(A) for medium-small rooms (about 200 mc); 14-16 dB(A) for large rooms (about 2000 mc).

Technical data for diffuser with 45° blades - Heating

Air Volume m ³ /h	Velocity m/s	Model	Δp_s		LpA	
			excl. plenum Pa	incl. plenum Pa	excl. plenum dB(A)	incl. plenum dB(A)
3600	2	800	23	31	42	44
5400	3	800	46	64	46	48
7200	4	800	76	108	50	52
9000	5	800	111	161	55	57
10800	6	800	152	224	60	62
12600	7	800	198	296	65	67
14400	8	800	249	377	70	72
16200	9	800	305	466	75	77
18000	10	800	364	564	80	82

Technical data for diffuser with 67,5° blades - Cooling

Air Volume m ³ /h	Velocity m/s	Model	Δp_s		LpA	
			excl. plenum Pa	incl. plenum Pa	excl. plenum dB(A)	incl. plenum dB(A)
3600	2	800	57	65	43	45
5400	3	800	120	138	47	51
7200	4	800	203	235	52	57
9000	5	800	305	354	57	63
10800	6	800	424	496	62	69
12600	7	800	561	659	67	74
14400	8	800	715	843	72	79
16200	9	800	886	1047	77	85
18000	10	800	1072	1272	82	90

