



**JET-FLO DIFFUSER**  
**ADJUSTABLE DIFFUSER WITH THERMO SENSITIVE SPRING**

GRQ | GRQT TYPE



✓ Supply



### Application

- The Jet -Flo diffuser type GRQ.RO9 has been specially developed to effectively cool, heat or ventilate large rooms such as theaters convention halls, sporting halls, shopping centers, factories, warehouses or exhibition halls. Optionally available with thermo sensitive spring.

### Technical information

#### Features:

- Extended throw distance.
- Low noise characteristics.
- The air pattern of diffuser type GRQORO9 is adjustable in each direction (max. 30°) in reference to a straight air pattern.
- The air pattern of diffuser type GRQTRO9 can be adjusted automatically by use of the thermo sensitive spring, varying from 30° upwards to 30° downwards in reference to a straight air pattern.

#### Construction:

- Material: extruded aluminium
- Standard finish: no. 9, blank anodised aluminium (optional: finish in RAL colour).

#### Mounting:

- The diffuses is provided with screw holes.

### Common type

- GRQORO9: Jet-Flo diffuser with face cover ring.
- GRQTRO9: Jet-Flo diffuser with thermo sensitive spring and face cover ring.

### Specify as

#### Example:

Supply Jet-Flo diffuser with extended throw distance and low noise characteristics. Adjustable air pattern of max. 30° in each direction in reference to a straight air pattern.

Finish: no. 9, blank anodised aluminium.

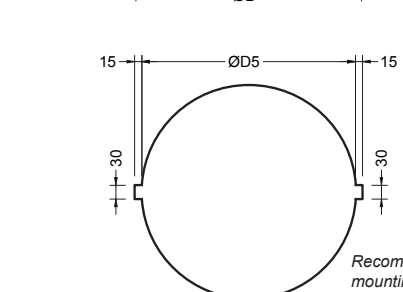
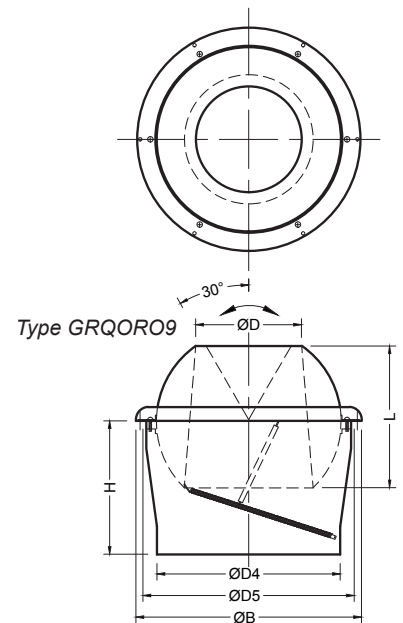
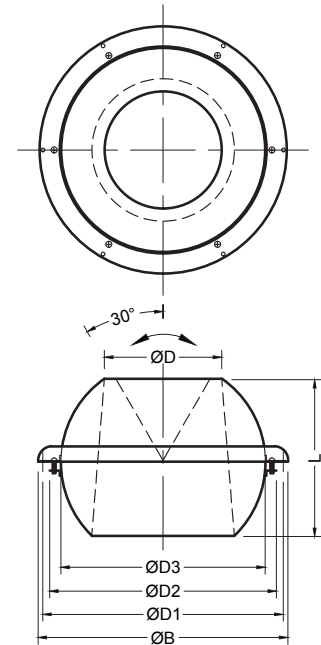
Barcol-Air type GRQORO9.

### Dimensions

Model	ø B	ø D	ø D1	ø D2	ø D3	ø D4	ø D5	H	L
40	140	40	119	111	80	-	-	-	56
50	170	50	148	134	102	-	-	-	78
80	260	80	220	205	160	158	206	200	131
150	390	150	368	352	300	313	354	285	233
200	490	200	472	450	400	398	454	290	308
230	490	230	472	450	400	398	454	290	308

#### Note:

1. All dimensions are in millimeters.



Type GRQTRO9

- ø W External diameter cover ring
- ø D Diameter discharge opening
- ø D1 Diameter screw holes
- ø D2 Recommended mounting hole size (GRQ diffusers only)
- ø D3 External diameter Jet-Flo (without flange)
- ø D4 Diameter air inlet (GRQT diffusers only)
- ø D5 Recommended mounting hole size (GRQT diffusers only)
- H Mounting depth (GRQT diffusers only)
- L Jet-Flo depth (GRQ diffusers only)

Recommended mounting hole size

Adjustable diffuser with thermo sensitive spring

Supply ✓

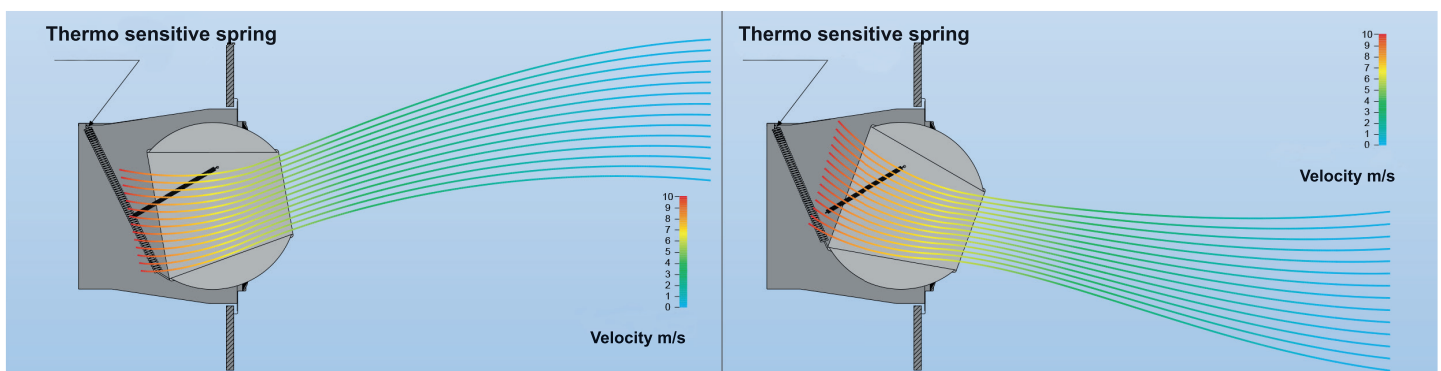
Selection 10 - 300 m³/h

Air Volume	Model	throw	Δp <sub>s</sub>	LpA
m³/h		m	Pa	dB(A)
10	40	4	3	--
20	40	7	13	--
	50	4	5	--
40	40	15	56	27
	50	8	20	--
	80	5	3	--
50	40	18	90	33
	50	10	33	20
	80	6	5	--
60	50	12	49	23
	80	7	6	--
80	50	15	90	30
	80	10	11	--
120	80	15	26	20
	150	5	2	--
150	80	18	42	24
	150	7	3	--
200	80	24	77	31
	150	9	5	--
	200	4	2	--
250	80	30	123	37
	150	11	8	--
	200	5	3	--
300	150	13	11	--
	200	6	4	--

Selection 400 - 2000 m³/h

Air Volume	Model	throw	Δp <sub>s</sub>	LpA
m³/h		m	Pa	dB(A)
400	150	18	20	21
	200	9	6	--
	230	8	4	--
500	150	22	33	24
	200	11	9	--
	230	10	5	--
600	150	26	48	28
	200	14	13	--
	230	13	8	--
700	150	31	67	32
	200	17	18	21
	230	15	10	--
800	150	35	88	36
	200	19	24	23
	230	17	14	--
1000	200	25	39	28
	230	21	22	22
	230	21	22	22
1300	200	32	68	34
	230	27	38	27
	230	27	38	27
1500	200	38	92	39
	230	31	51	31
1800	230	38	75	36
2000	230	42	93	40
	230	42	93	40

1. The throw data given above are based on diffusers mounted without the aid of the so called 'ceiling effect'.
2. The sound pressure level and pressure drop values are for diffusers without volume controls or with volume controls fully open and with the diffuser elements set for a straight discharge pattern (deflection 0°). When adjusted to a full 30° pattern, pressure drops will increase up to 40% and sound levels up to 5 dB.
3. The throw data given above are based on a discharging air at 11°C below the average room temperature.
4. Due to the turbulent characteristics of an air stream the expected variation in throw will cover a range of ±10%.
5. At the stated throw the terminal velocity is 0.25 m/s.
6. Two or more diffusers fitted in the same surface with straight throw air patterns should be spaced so that a minimum distance equal to 1/3 of the throw exists between each diffuser. The minimum spacing between diffusers with a widespread air pattern should be at least equal to the throw.
7. The minimum mounting height is equivalent to the height of the occupied zone additioned with 0.13 x the throw. The minimum distance to the ceiling to prevent 'ceiling effect' equals to 0.1 x the throw.
8. The LpA values are based on a room absorption of 10 dB. If the diffuser is used in large rooms, the actual room-absorption is usually greater than 10 dB.
9. Sound pressure levels below 20 dB(A) are indicated by "--".
10. For non standard applications and/or selections, please contact our technical staff.





## OUR TECHNOLOGY | YOUR WELLBEING

**BARCOL-AIR** | AIR DISTRIBUTION

Cantekoogweg 10-12 - 1442 LG Purmerend, The Netherlands

**T** +31 (0)299 689 300 | **E** [export@barcol-air.nl](mailto:export@barcol-air.nl)

[WWW.BARCOL-AIR.NL](http://WWW.BARCOL-AIR.NL)