

AIR TRANSFER GRILLE FIRE-RESISTANT, RECTANGULAR

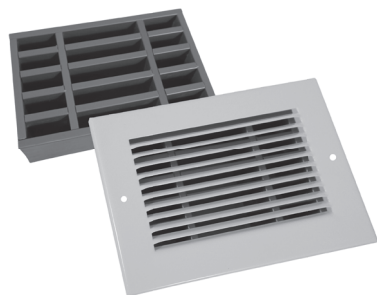
LVV40 TYPE



Air transfer grille

Fire-resistant, rectangular

✓ Transit



Application

The fire resistant grille type LVV40... is suitable for application on doors and walls. In the event of a fire, the fire damper will prevent passing of fire and sustain the fire-resistant qualities. The air transfer grilles are suited for application in fire-resistant doors and walls, when these do not come into contact with moist or open (outside) air. The grille may only function as air transfer grille and may not be applied in vents or air ducts.

Technical information

Features

- Self-closing dampers at temperatures above 100°C. – because of intumescence material expanding to fill the space between blades
- Fire-resistant for 60 minutes in a massive door in compliance with BS 476 part 20/22
- Fire-resistant for 90 minutes in a massive wall in compliance with NEN-EN-1634-1
- Classification according to NEN-EN-13501-2 is EL-90.
- Free area of fire-resistant element 51 – 64% (depending on measurements)
- Free area of cover grille 67%
- Measurements rectangular: 100 x 100 to 600 x 600 mm (in increments of 50 mm)
- The most recent certification document for this product is available for download on our website.

Version

- Rectangular grille, all according to the needs of providing 1 or 2 pieces steel cover grilles.
- Frame and blades made of pvc tubes, filled with thermos-expansive material on basis of sodium silicate (swells at temperatures over 100°C).
- Fire-resistant grille thickness: 40 mm.
- The cover grilles are standard produced in a white finish (RAL 9010); available in optional RAL colour is possible.)

Delivery:

- Air transfer grilles and optional cover grilles are delivered separately. Screws needed for the mounting of the cover grilles are included.

Assembly:

- Only suitable for vertical assembly.
- Air transfer grille should be assembled with a fire-resistant sealant in the recess. Cover grilles are provided with premade holes for screws for mounting to a door or wall.

Common types

- LVV40: Rectangular, fire-resistant grille without cover grilles.
- LVV40A4: Rectangular, fire-resistant grille with 1 cover grille, standard colour RAL 9010.
- LVV40B4: Rectangular, fire-resistant grille with 2 cover grilles, standard colour RAL 9010.

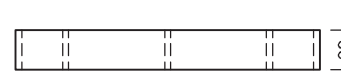
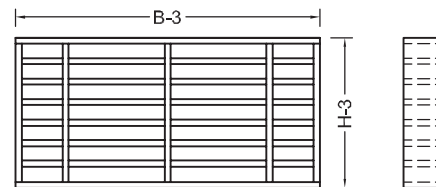
Specify ass

Example:

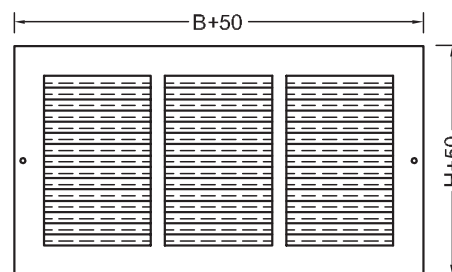
Fire-resistant air transfer grille suited for application in a fire-resistant separations such as a door or a wall. The fire-resistant element consists of a thermic intumescent material which blocks the conduit opening in case of a fire. Frame and slats of plastic tubes, filled with thermos-expansive material on sodium silicate base (swells at temperatures above 100°C).

Front finish: white.

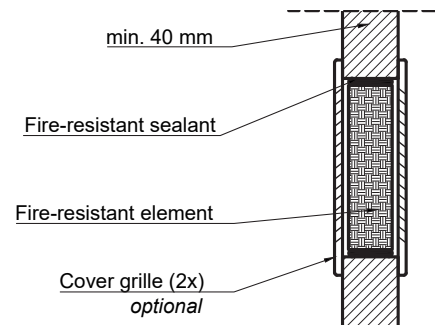
Barcol-Air type LVV40B4 (rectangular, fire-resistant grille with two cover grilles, colour RAL 9010).



Type LVV40..



Type LVV40A4



Type LVV40B4

Remarks dimensions:

1. Dimensions in millimetres.

Air transfer grille

Fire-resistant, rectangular

TYPE LVV40

Transit ✓

Selection table LVV40..

36 - 1323 m³/h

Width [mm]	Height [mm]	Air Passage %	Flow v=1 m/s [m ³ /h]	Δps (Pa)	Lp (dB(A))	Flow v=2 m/s [m ³ /h]	Δps (Pa)	Lp (dB(A))	Flow v=3 m/s [m ³ /h]	Δps (Pa)	Lp (dB(A))
100	100	51	36	3	--	72	10	26	108	22	31
150		52	54	3	--	108	9	25	162	21	30
200		55	72	2	--	144	8	25	216	19	30
250		55	90	2	--	180	8	25	270	19	30
300		56	108	2	--	216	8	25	324	18	29
350		56	126	2	--	252	8	25	378	18	29
400		57	144	2	--	288	8	25	432	18	29
450		56	162	2	--	324	8	25	486	18	29
500		57	180	2	--	360	8	24	540	17	29
550		57	198	2	--	396	8	25	594	18	29
600		57	216	2	--	432	8	24	648	17	29
100	150	54	54	2	--	108	8	25	162	19	30
150		55	81	2	--	162	8	25	243	19	30
200		58	108	2	--	216	7	24	324	17	29
250		58	135	2	--	270	7	24	405	17	29
300		60	162	2	--	324	7	24	486	16	28
350		59	189	2	--	378	7	24	567	16	29
400		60	216	2	--	432	7	24	648	15	28
450		60	243	2	--	486	7	24	729	16	28
500		61	270	2	--	540	7	24	810	15	28
550		60	297	2	--	594	7	24	891	15	28
600		61	324	2	--	648	7	24	972	15	28
100	200	56	72	2	--	144	8	25	216	18	29
150		57	108	2	--	216	8	25	324	18	29
200		60	144	2	--	288	7	24	432	16	28
250		60	180	2	--	360	7	24	540	16	28
300		62	216	2	--	432	7	24	648	15	28
350		61	252	2	--	504	7	24	756	15	28
400		62	288	2	--	576	6	24	864	15	28
450		62	324	2	--	648	7	24	972	15	28
500		63	360	2	--	720	6	24	1080	14	28
550		62	396	2	--	792	6	24	1188	15	28
600		63	432	2	--	864	6	24	1296	14	28
100	250	55	90	2	--	180	8	25	270	19	30
150		56	135	2	--	270	8	25	405	18	29
200		59	180	2	--	360	7	24	540	16	29
250		59	225	2	--	450	7	24	675	16	29
300		60	270	2	--	540	7	24	810	16	28
350		60	315	2	--	630	7	24	945	16	28
400		61	360	2	--	720	7	24	1080	15	28
450		61	405	2	--	810	7	24	1215	15	28
500		61	450	2	--	900	7	24	1350	15	28
550		61	495	2	--	990	7	24	1485	15	28
600		62	540	2	--	1080	7	24	1620	15	28
100	300	56	108	2	--	216	8	25	324	18	29
150		57	162	2	--	324	8	25	486	18	29
200		60	216	2	--	432	7	24	648	16	28
250		60	270	2	--	540	7	24	810	16	28
300		61	324	2	--	648	7	24	972	15	28
350		61	378	2	--	756	7	24	1134	15	28
400		62	432	2	--	864	7	24	1296	15	28
450		62	486	2	--	972	7	24	1458	15	28
500		63	540	2	--	1080	6	24	1620	14	28
550		62	594	2	--	1188	7	24	1782	15	28
600		63	648	2	--	1296	6	24	1944	14	28
100	350	55	126	2	--	252	8	25	378	19	30
150		56	189	2	--	378	8	25	567	18	29
200		59	252	2	--	504	7	24	756	16	29
250		59	315	2	--	630	7	24	945	16	29
300		61	378	2	--	756	7	24	1134	15	28
350		60	441	2	--	882	7	24	1323	16	28

1. The stated LpA values are based on a room absorption of 10 dB.

2. Sound pressure levels below 20dB(A) are noted as -.

3. The mentioned air flow is the flow over the gross surface of the grille.

4. The maximum allowed pressure loss across the grille is 20 Pa.

5. For non standard grilles, we recommend to contact our technical staff.

Air transfer grille

Fire-resistant, rectangular

✓ Transit

Continuation selection table LVV40..

504 - 3888 m³/h

Width [mm]	Height [mm]	Air Passage %	Flow v=1 m/s [m ³ /h]	Δp_s (Pa)	Lp (dB(A))	Flow v=2 m/s [m ³ /h]	Δp_s (Pa)	Lp (dB(A))	Flow v=3 m/s [m ³ /h]	Δp_s (Pa)	Lp (dB(A))	
400	350	61	504	2	--	1008	7	24	1512	15	28	
450		61	567	2	--	1134	7	24	1701	15	28	
500		62	630	2	--	1260	7	24	1890	15	28	
550		61	693	2	--	1386	7	24	2079	15	28	
600		62	756	2	--	1512	7	24	2268	15	28	
100	400	56	144	2	--	288	8	25	432	18	29	
150		57	216	2	--	432	8	25	648	18	29	
200		60	288	2	--	576	7	24	864	16	28	
250		60	360	2	--	720	7	24	1080	16	29	
300		61	432	2	--	864	7	24	1296	15	28	
350		61	504	2	--	1008	7	24	1512	15	28	
400		62	576	2	--	1152	7	24	1728	15	28	
450		62	648	2	--	1296	7	24	1944	15	28	
500		63	720	2	--	1440	6	24	2160	14	28	
550		62	792	2	--	1584	7	24	2376	15	28	
600		63	864	2	--	1728	6	24	2592	14	28	
100		450	56	162	2	--	324	8	25	486	18	29
150			57	243	2	--	486	8	24	729	17	29
200			61	324	2	--	648	7	24	972	15	28
250			60	405	2	--	810	7	24	1215	16	28
300	62		486	2	--	972	7	24	1458	15	28	
350	62		567	2	--	1134	7	24	1701	15	28	
400	63		648	2	--	1296	6	24	1944	14	28	
450	62		729	2	--	1458	6	24	2187	15	28	
500	63		810	2	--	1620	6	24	2430	14	28	
550	63		891	2	--	1782	6	24	2673	14	28	
600	63		972	2	--	1944	6	24	2916	14	28	
100	500		56	180	2	--	360	8	25	540	18	29
150			57	270	2	--	540	8	25	810	18	29
200			60	360	2	--	720	7	24	1080	16	28
250			60	450	2	--	900	7	24	1350	16	29
300		61	540	2	--	1080	7	24	1620	15	28	
350		61	630	2	--	1260	7	24	1890	15	28	
400		62	720	2	--	1440	7	24	2160	15	28	
450		62	810	2	--	1620	7	24	2430	15	28	
500		62	900	2	--	1800	6	24	2700	14	28	
550		62	990	2	--	1980	7	24	2970	15	28	
600		63	1080	2	--	2160	6	24	3240	14	28	
100		550	56	198	2	--	396	8	25	594	18	29
150			57	297	2	--	594	8	24	891	17	29
200			60	396	2	--	792	7	24	1188	15	28
250			60	495	2	--	990	7	24	1485	16	28
300	62		594	2	--	1188	7	24	1782	15	28	
350	61		693	2	--	1386	7	24	2079	15	28	
400	63		792	2	--	1584	6	24	2376	14	28	
450	62		891	2	--	1782	7	24	2673	15	28	
500	63		990	2	--	1980	6	24	2970	14	28	
550	63		1089	2	--	2178	6	24	3267	14	28	
600	63		1188	2	--	2376	6	24	3564	14	28	
100	600		57	216	2	--	432	8	25	648	18	29
150			57	324	2	--	648	8	24	972	17	29
200			61	432	2	--	864	7	24	1296	15	28
250			61	540	2	--	1080	7	24	1620	15	28
300		62	648	2	--	1296	6	24	1944	15	28	
350		62	756	2	--	1512	7	24	2268	15	28	
400		63	864	2	--	1728	6	24	2592	14	28	
450		63	972	2	--	1944	6	24	2916	14	28	
500		63	1080	2	--	2160	6	24	3240	14	28	
550		63	1188	2	--	2376	6	24	3564	14	28	
600		64	1296	2	--	2592	6	24	3888	14	28	

1. The stated LpA values are based on a room absorption of 10 dB.

2. Sound pressure levels below 20dB(A) are noted as -.

3. The mentioned air flow is the flow over the gross surface of the grille.

4. The maximum allowed pressure loss across the grille is 20 Pa.

5. For non standard grilles, we recommend to contact our technical staff.



OUR TECHNOLOGY | YOUR WELLBEING

BARCOL-AIR | AIR DISTRIBUTION

Cantekoogweg 10-12 - 1442 LG Purmerend, The Netherlands

T +31 (0)299 689 300 | **E** export@barcol-air.nl

WWW.BARCOL-AIR.NL